

UGA-Wallcollars MK

Technical information



**24 hour
delivery service**
on demand


**Guarantee
of quality**
for all products

**Global
distribution
network**
for you on site

Service-Hotline
Tel. +49 7324 9696-33
we are happy
to assist you

UGA-Wallcollars MK

Dimensions and article numbers

► General information

Hydrostatic sealing of pipes made of steel, cast iron, copper, plastic, fibre reinforced concrete, concrete and vitrified clay that pass through walls, ceilings, floors, shaft openings, swimming pools and groundwater troughs.

UGA wallcollars are the ideal solution wherever it is not possible to retrofit wall sleeves or drill holes.

- Tight against groundwater and pressing water
- For pipes with outer diameter of Ø 32 mm until Ø 315 mm tested up to 5 bar
- From pipe outer diameters 355 mm tested up to 4 bar

► Dimensions and article numbers

Pipe outer diameter Øa in mm	Clamping range		Article number
	from pipe-Øa	to pipe-Øa	
32	29	32	MK 32
40	38	42	MK 40
50	48	53	MK 50
63	60	64	MK 63
75	71	80	MK 75
90	84	92	MK 90
110	105	116	MK 110
125	120	130	MK 125
140	135	148	MK 140
160	154	166	MK 160
180	175	190	MK 180
200	195	210	MK 200
225	215	230	MK 225
250	245	260	MK 250
280	275	290	MK 280
315	310	327	MK 315
355	350	365	MK 355
400	395	410	MK 400
450	440	460	MK 450
500	495	515	MK 500
560	555	580	MK 560
630	625	650	MK 630
710	705	735	MK 710
800	795	830	MK 800
900	895	930	MK 900
1000	995	1030	MK 1000
1200	1195	1240	MK 1200
1400	1395	1450	MK 1400

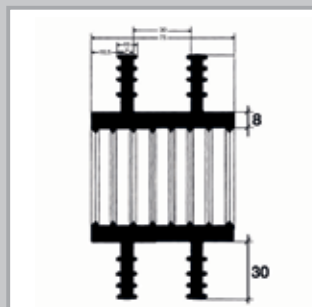
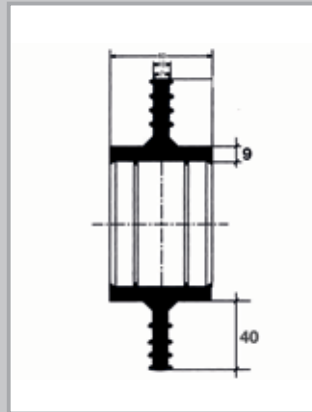
Dimensions in mm (without warranty)

Material high Quality Rubber	Value/unit
Tensile strength	9,5 N/mm ²
Elongation at break	500,0 %
Shore hardness A	45 +/- 5 °
Service temperature max.	80 ° C
Minimum temperature	- 40 ° C

Note: The UGA-wallcollar is not an anchoring for pipes!

► Installation instructions

1. Clean the pipe surface to be encased in concrete with a piece of cloth or similar.
2. Slide the wallcollar on until it reaches the centre of the concrete or the wall.
3. Attach the fastening straps:
For wallcollars up to Ø 315:
Fit one band on either side of the flange for wallcollars above Ø 355: Fit one band on either side of the flanges and one between.
4. Put the fastening strap around the wallcollar and insert the end of the strap into the slot of the turnbuckle.
5. Use screw driver or hexagon wrench to turn the turnbuckle to the right and then slightly press the locking device until the component fits tightly.



UGA SYSTEM-TECHNIK GmbH & Co. KG
Building Technology Systems

Heidenheimer Str. 80 – 82
89542 Herbrechtingen/Germany
P.O. Box 12 61, 89539 Herbrechtingen/Germany
Phone +49 7324 9696-0, Fax +49 7324 9696-96
info@uga.eu, www.uga.eu

We deliver replacement parts, if there are material defects which disturb the function. We do not deliver replacement parts for defects which result on the transport or the storage of the goods, or which are based on inaccurate installation or the results of it. Our information is based on the current state of technical evidence. We reserve the right to make technical amendments. Because of the diversity of possible influences during the installation and application our technical information does not release the user from own tests and checks.

All systems of UGA have to be installed according to the corresponding installation advice.