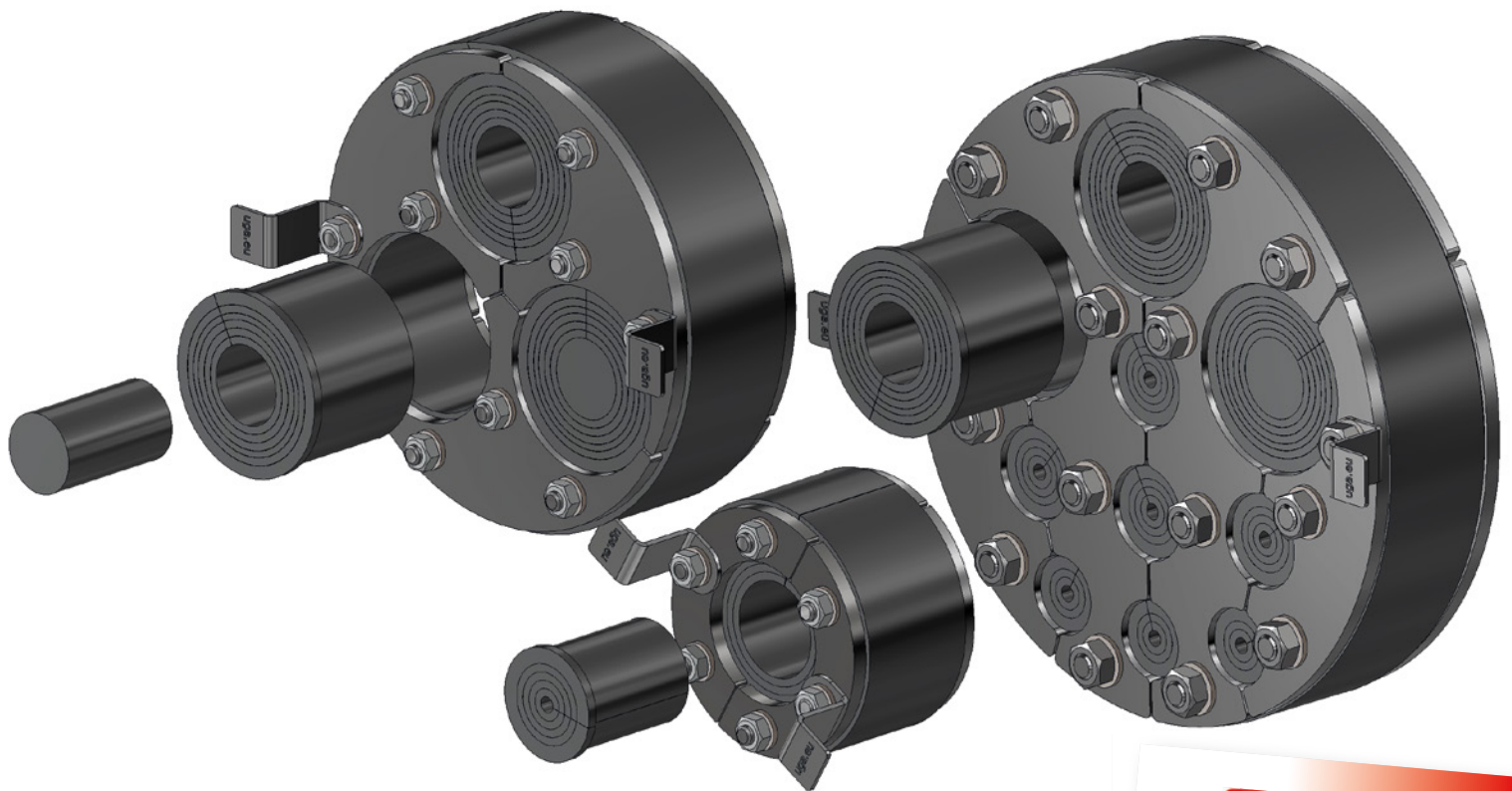


## GPD(A)/40/ZS

Rubber press seal with multilayer inserts

## BKD150-E-ZS

BKD150 system inserts with multilayer inserts



Video on  
YouTube



24 hour delivery  
service

Quality  
guarantee



Worldwide  
sales network

Service hotline  
+49 7324 9696-33

# Sealing and system inserts with multilayers

Rubber press seal GPD(A)/40/ZS

System insert BKD150-E-ZS

## ► Sealing and system inserts with multilayers

With the GPD(A)/40/ZS rubber press seals and the BKD150-E-ZS system insert, cables or pipes with different diameters can be flexibly sealed.

The cable diameters are infinitely variable thanks to the proven multilayer insert technology. Simply remove as many rubber elements as necessary until the desired diameter is reached.

If you do not want to use a drilled hole or a core drilling, simply leave the rubber parts in the seal.

The sealing and system inserts with multilayers from UGA are suitable for universal use.

### Key advantage over similar systems on the market:

The body of the UGA rubber press seal and multilayer inserts are separated and can therefore be mounted more easily.

## ► Rubber press seal with multilayer inserts

Product name: (Example)

For more standard versions, see page 3

**GPD200/G/40/ZS/V2A/EPDM**

**3x(22-54)**

**4x(4-25)**

**3x(4-20)**

split, EPDM rubber, metal parts made of A2 stainless steel, with 3 multilayer inserts for cables Ø 22-54 mm;

With two-layer tabs to protect against slipping through



## ► Appreciable customer benefits - The advantages of UGA systems with multilayer inserts

- Gas and watertight up to 2.5 bar
- Suitable for subsequent installation of cables already laid ► Split version
- Easy assembly thanks to separation of the GPD body and multilayer inserts
- Ducting of up to 15 cables of various diameters possible
- Sealing of reserve openings using the supplied blind plugs
- Slip protection in the form of two-layer tabs or bayonet catch
- Multilayer inserts in certain sizes can be replaced with exchangeable inserts on request
- Protection against rodents and insects
- Sound-insulating



## ► Multilayer insert ZS

Product name: (Example)

**ZS/G/40/EPDM**

**(D1-DN)**

D1 = Minimum cable/pipe diameter

DN = Maximum cable/pipe diameter

Multilayer insert in split version also suitable for retrofitting, can be combined with single-layer rubber press seals.

For more standard versions, see page 3

Standard multilayer inserts:

**ZS/G/40/EPDM**

**22-54**

**ZS/G/40/EPDM**

**4-32**

**ZS/G/40/EPDM**

**4-25**

**ZS/G/40/EPDM**

**4-20**

## ► System insert with multilayer inserts for installation in a BKD 150 wall insert

Product name: (Example)

For more standard versions, see page 3

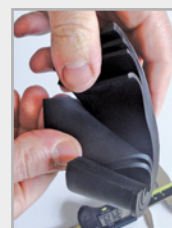
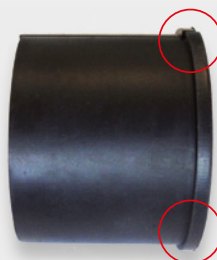
**BKD150-E-ZS/V2A/EPDM**

**3x(22-54)**

split, EPDM rubber, metal parts made from A2 stainless steel, with three multilayer inserts for cables Ø 22-54 mm;

Suitable for UGA bayonet system BKD 150 and for third party manufacturers; misalignment protection thanks to bayonet catch

**Multilayer insert ZS from UGA**  
also available separately



# Sealing and system inserts with multilayer inserts

Standard versions at a glance

Service hotline  
+49 7324 9696-33

Core drilling/wall sleeve Ø	Product name:	Number of cables/pipes	Cable/pipe Ø mm
80	GPD80/G/40/ZS/V2A/EPDM/1x(4-32)	0-1	4-32
	GPD80/G/40/ZS/V2A/EPDM/2x(4-25)	0-2	4-25
	GPD80/G/40/ZS/V2A/EPDM/3x(4-20)	0-3	4-20
100	GPD100/G/40/ZS/V2A/EPDM/1x(22-54)	0-1	22-54
	GPD100/G/40/ZS/V2A/EPDM/3x(4-32)	0-3	4-32
	GPD100/G/40/ZS/V2A/EPDM/8x(4-20)	0-8	4-20
	GPD100/G/40/ZS/V2A/EPDM/2x(4-32)+2x(4-25)	0-4	
		of which 0-2	4-32
		of which 0-2	4-25
	GPD100/G/40/ZS/V2A/EPDM/2x(4-32)+3x(4-20)	0-5	
		of which 0-2	4-32
	of which 0-3	4-20	
125	GPD125/G/40/ZS/V2A/EPDM/1x(22-54)	0-1	22-54
	GPD125/G/40/ZS/V2A/EPDM/3x(4-32)	0-3	4-32
	GPD125/G/40/ZS/V2A/EPDM/6x(4-25)	0-6	4-25
150	GPD150/G/40/ZS/V2A/EPDM/3x(22-54)	0-3	22-54
	GPD150/G/40/ZS/V2A/EPDM/6x(4-32)	0-6	4-32
	GPD150/G/40/ZS/V2A/EPDM/9x(4-25)	0-9	4-25
	GPD150/G/40/ZS/V2A/EPDM/4x(4-32)+6x(4-20)	0-10	
		of which 0-4	4-32
		of which 0-6	4-20
160	GPD160/G/40/ZS/V2A/EPDM/3x(22-54)	0-3	22-54
	GPD160/G/40/ZS/V2A/EPDM/4x(4-32)+6x(4-20)	0-10	
		of which 0-4	4-32
		of which 0-6	4-20
	GPD160/G/40/ZS/V2A/EPDM/6x(4-32)	0-6	4-32
	GPD160/G/40/ZS/V2A/EPDM/9x(4-25)	0-9	4-25
200	GPD200/G/40/ZS/V2A/EPDM 3x(22-54)+4x(4-25)+3x(4-20)	0-10	
		of which 0-3	22-54
		of which 0-4	4-25
		of which 0-3	4-20
	GPD200/G/40/ZS/V2A/EPDM/7x(4-32)+8x(4-20)	0-15	
		of which 0-7	4-32
	of which 0-8	4-20	
<b>System inserts for wall insert BKD 150 on the connection site</b>			
Wall insert BKD 150	BKD150-E-ZS/V2A/EPDM/3x(22-54)	0-3	22-54
Wall insert BKD 150	BKD150-E-ZS/V2A/EPDM/6x(4-32)	0-6	4-32
Wall insert BKD 150	BKD150-E-ZS/V2A/EPDM/9x(4-20)	0-9	4-25
Wall insert BKD 150	BKD150-E-ZS/V2A/EPDM/4x(4-32)+6x(4-20)	0-10	
		of which 0-4	4-32
		of which 0-6	4-20

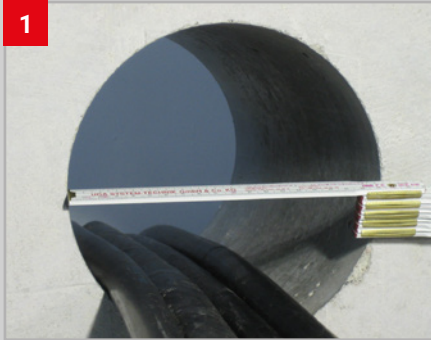
# Extremely easy installation!

## Rubber press seal with multilayer inserts

### GPD (A)-ZS

Service hotline  
+49 7324 9696-33

#### ► Rubber press seal with multilayer inserts



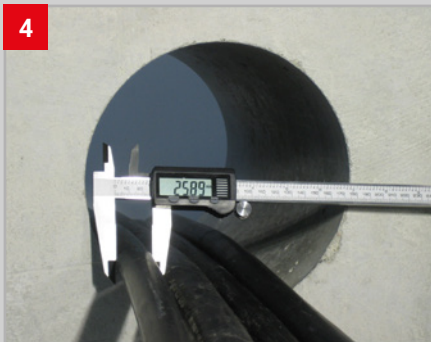
1  
Initial situation:  
Laid cables



2  
Remove multilayer inserts and place  
opened rubber press seal around the  
cable.



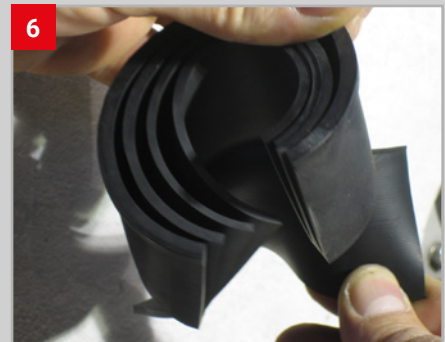
3  
Use GPD (A) -ZS



4  
Measure the cable diameter.



5  
Transfer the diameter to a multilayer  
insert



6  
Remove any layers that are not  
required



7  
Insert multilayer inserts one after the other.



8  
Tighten the nuts. Finished!  
**Watertight up to 2.5 bar**

**UGA SYSTEM-TECHNIK GmbH & Co. KG**  
Building Technology Systems  
Heidenheimer Str. 80 – 82, 89542 Herbrechtingen,  
Germany  
Tel. +49 7324 9696-0, Fax +49 7324 9696-96  
info@uga.eu, www.uga.eu

We shall supply replacements for all parts that impair functionality due to material defects. No replacements will be provided for defects that are due to transport or storage or are caused by incorrect processing or installation or consequences of such. Our information is based on current technical knowledge. Subject to technical changes. Because of the abundance of possible influences during assembly and use, our information does not exempt processors and users from their own trials and tests.

**The corresponding installation instructions apply to all UGA products.**