

FU

Casing tubes

F+L

Fixed and loose flange constructions

GPD-F

Flange



**24 hour
delivery service**
on demand



**Guarantee
of quality**
for all products

**Global
distribution
network**
for you on site

Service-Hotline
Tel. +49 7324 9696-33
we are happy
to assist you

Casing tubes from UGA

For cables and pipes

Service-Hotline

Tel. +49 7324 9696-33

we are happy
to assist you

For the installation of cables and pipes through walls, ceilings and foundations, UGA offers suitable casing tubes for nearly every case. Casing tubes from UGA convince in many ways: the quality of the material, the easy handling, their variety and the individual cut.

UGA offers casing tubes made of plastic, fiber cement and stainless steel, which are delivered in the requested diameter and length. Stainless steel and fiber cement tubes are also available with a fixed and loose flange.

Our employees are always happy to assist you, on the phone, as well as on site.



FU-K

Casing tubes made of plastic

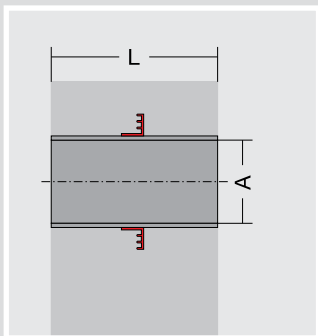


FU-K for encasing in concrete

The plastic tube is sealed with a middle flange. Casing tubes FU-K come delivered sealed both sides with PE-covers. The sealing of cables and pipes is effected with rubber press seals GPD.

Order no. **FU-K (A)/(L)**

(A) = inside diameter in mm
(L) = wall thickness in mm

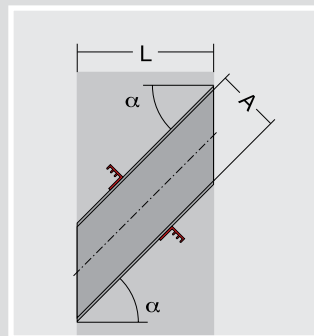


FU-K with profile cut for encasing in concrete

For the angular installation the FU-K casing tubes are delivered customized.

Order no. **FU-K (A)-S(α)/(L)**

(A) = inside diameter
(α) = angular cutting
angle in degrees to the level
(L) = wall thickness in mm



FU-FZ

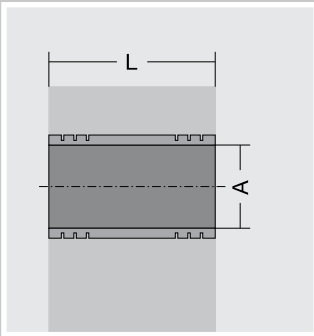
Casing tubes made of fiber cement



FU-FZ for encasing in concrete

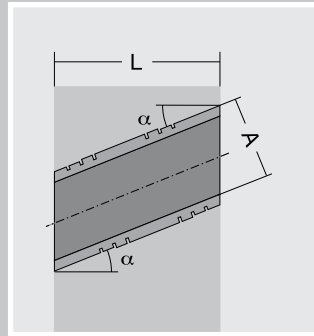
Casing tube made of asbestos-free fiber cement. The grooves on the surface enhance the connection between the casing tube and the concrete. The sealing of cables or pipes is effected with rubber press seals GPD.

Order no. **FU-FZ (A)/(L)**
(A) = inner diameter in mm
(L) = wall thickness in mm



FU-FZ with profile cut for encasing in concrete
For the angular installation the FU-K casing tubes are delivered customized.

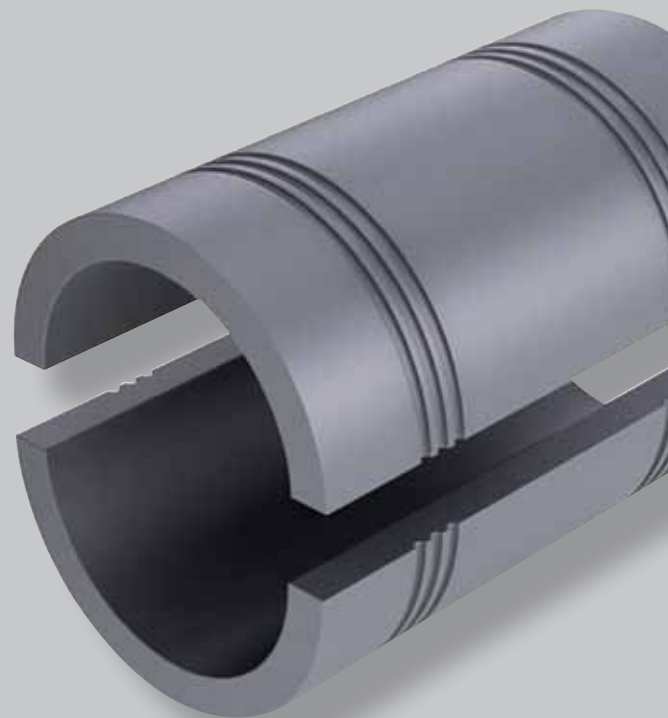
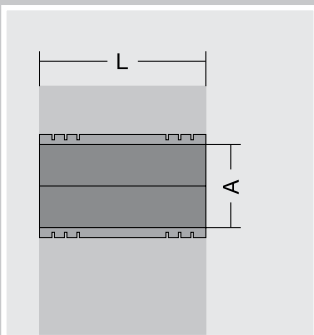
Order no. **FU-FZ (A)-S(α)/(L)**
(A) = inside diameter
(α) = angular cutting angle in degrees to the level
(L) = wall thickness in mm



FU-FZ split version for subsequent installation

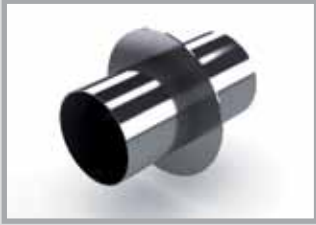
Used for already installed cables or pipes. The sealing is effected with rubber press seals GPD.

Order no. **FU-FZ (A)/G/(L)**
(A) = inside diameter
(L) = wall thickness in mm



FU-VA

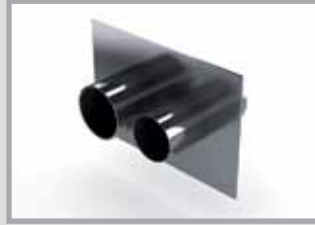
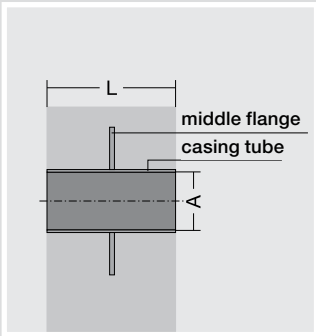
Casing tubes made of stainless steel



FU-VA for encasing in concrete

Casing tube with middle flange as a water barrier. Suitable for pressing and non-pressing water. The casing tube is completely made of stainless steel A2, on request also available in A4. The sealing of cables or pipes is effected with rubber press seals GPD.

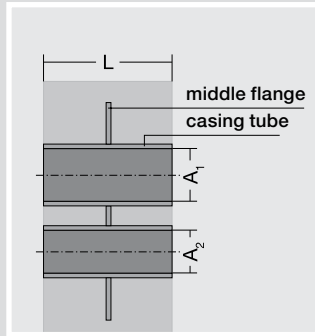
Order no. **FU-VA (A)/(L)**
 (A) = inside diameter in mm
 (L) = wall thickness in mm



FU-VA multiple element with middle flange for encasing in concrete

Stainless steel plate as middle flange with multiple welded pipes made of stainless steel. Number of pipes on request. Completely made of stainless steel A2, on request also available in A4. The sealing of cables or pipes is effected with rubber press seals GPD.

Order no. **FU-VA (Z₁xA₁)+(Z_nxA_n)/(L)**
 (Z_nxA_n) = number and diameter of the pipes
 (L) = wall thickness in mm

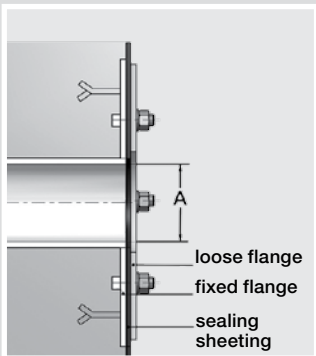


FU-VA with fixed and loose flange for encasing in concrete

Casing tube for building entry referring to DIN 18195, part 9. Suitable for pressing water – A version for non-pressing water is also available. Completely made of stainless steel A2, on request also available in A4. The fixed flange is encased in concrete flush at the formwork. The sealing of cables or pipes is effected with rubber press seals GPD.

Included in delivery:
 Fixed flange with welded stainless steel pipe, fixation elements and threaded bolt M 20. Loose flange with U-slice and nuts M 20.

Order no. **FU-VA (A)/F+L/T9(N)D/(L)**
 (A) = inside diameter in mm
 (L) = length of the pipe in mm

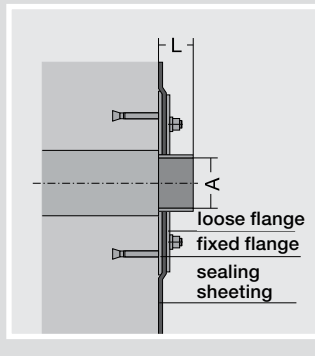


FU-VA with fixed and loose flange for plugging

Casing tube for building entry referring to DIN 18195, part 9. Suitable for pressing water – A version for non-pressing water is also available. Completely made of stainless steel A2, on request also available in A4. The fixed flange is plugged to already existing walls, ceiling or base plates. The sealing of cables or pipes is effected with rubber press seals GPD.

Included in delivery:
 Fixed flange with welded stainless steel pipe, fixation elements and threaded bolt M 20. Loose flange with U-slice and nuts M 20.

Order no. **FU-VA (A)/F+L/T9(N)D/(L)/NA/VO**
 (A) = inside diameter in mm
 (L) = length of the pipe in mm





FU-VA with fixed and loose flange with upper and under length for plugging

Casing tube for building entry referring to DIN 18195, part 9. Suitable for pressing water – A version for non-pressing water is also available. Completely made of stainless steel A2, on request also available in A4. The fixed flange is plugged to already existing walls, ceiling or base plates. The sealing of cables or pipes is effected with rubber press seals GPD.

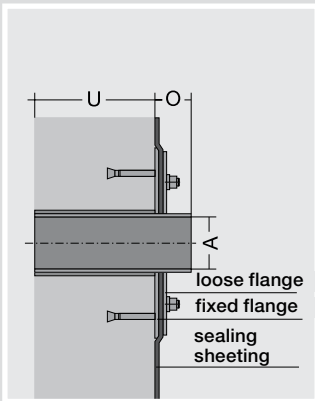
Included in delivery:

Fixed flange with welded stainless steel pipe, fixation elements and threaded bolt M 20. Loose flange with U-slice and nuts M 20.

Order no.

FU-VA (A)/F+L/T9(N)D/(O)/(U)

(A) = inside diameter in mm
(O) = upper length in mm
(U) = under length in mm



FU-VA multiple element with fixed and loose flange with upper and under length for encasing in concrete

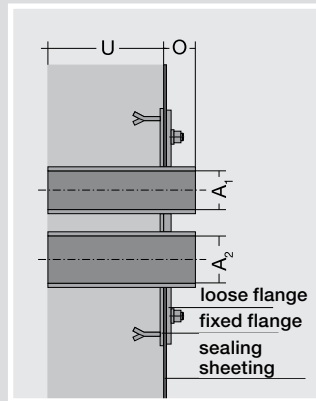
Multiple pipes welded to stainless steel plate for building entry referring to DIN 18195, part 9. Suitable for pressing water – A version for non-pressing water is also available. Completely made of stainless steel A2, on request also available in A4. The fixed flange is plugged to already existing walls, ceiling or base plates. The sealing of cables or pipes is effected with rubber press seals GPD.

Included in delivery:

Fixed flange with welded stainless steel pipes, fixation elements and threaded bolt M 20. Loose flange with U-slice and nuts M 20.

Order no. **FU-VA (Z₁x A₁) + (Z_nx A_n)/F+L/T9(N)D/(O)/(U)**
(Z_nx A_n) = number and diameter of the pipes

(O) = upper length in mm
(U) = under length in mm



FU-VA multiple element with fixed and loose flange for plugging

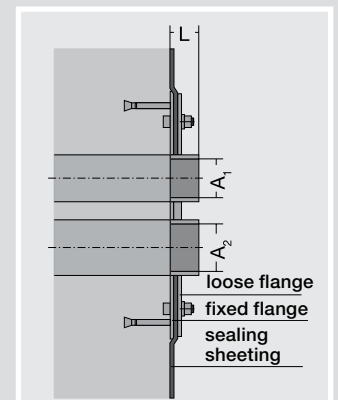
Multiple pipes welded to a stainless steel plate for building entry referring to DIN 18195, part 9. Suitable for pressing water – A version for non-pressing water is also available. Completely made of stainless steel A2, on request also available in A4. The fixed flange is plugged to already existing walls, ceiling or base plates. The sealing of cables or pipes is effected with rubber press seals GPD.

Included in delivery:

Fixed flange with welded stainless steel pipes, fixation elements and threaded bolt M 20. Loose flange with U-slice and nuts M 20.

Order no. **FU-VA (Z₁x A₁) + (Z_nx A_n)/F+L/T9(N)D/(L)/NA/VO**
(Z_nx A_n) = diameter and number of the pipes

(L) = length of the pipes in mm

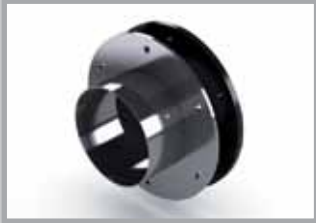


parameters for fixed and loose flange constructions referring to DIN 18195, part 9

Øa used cable or pipe	Øi casting tube	Pressing water		Non-pressing water	
		Øa Fixed flange	Øa Loose flange	Øa Fixed flange	Øa Loose flange
0–63 mm	100 mm	425 mm	415 mm	245 mm	235 mm
0–85 mm	125 mm	450 mm	440 mm	270 mm	261 mm
0–112 mm	150 mm	475 mm	465 mm	295 mm	286 mm
0–162 mm	200 mm	525 mm	516 mm	345 mm	338 mm
0–212 mm	250 mm	575 mm	566 mm	395 mm	388 mm
0–260 mm	300 mm	627 mm	617 mm	446 mm	441 mm
0–310 mm	350 mm	677 mm	668 mm	496 mm	488 mm
0–350 mm	400 mm	727 mm	717 mm	547 mm	538 mm
0–400 mm	450 mm	777 mm	769 mm	597 mm	591 mm
0–450 mm	500 mm	827 mm	819 mm	647 mm	641 mm

GPD-F

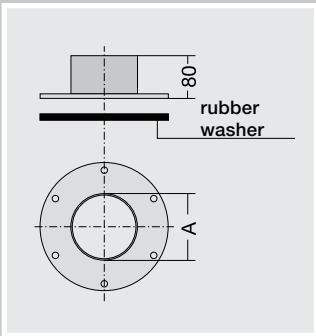
Stainless steel flange



GPD-F flange for plugging.

For sealing cables and pipes before drilling a core hole into a wall or ceiling. Completely made of stainless steel A2, available on request in A4. Delivered with EPDM flange seal and fixing elements. The sealing of the lines is effected with rubber press seals GPD.

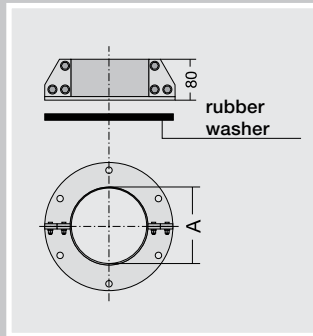
Order no. **GPD-F-VA/(A)**
(A) = inside diameter in mm



GPD-F flange, split version, for subsequent plugging.

For the subsequent sealing of already installed cables or pipes before drilling a core hole. Completely made of stainless steel A2, available on request in A4. Delivered with EPDM flange seal and fixing elements. The sealing of the lines is effected with rubber press seals GPD.

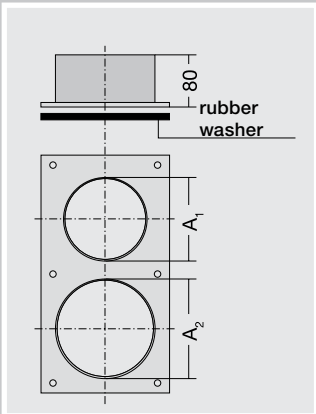
Order no. **GPD-F-G-VA/(A)**
(A) = inside diameter in mm



GPD-F flange multiple element for plugging

Multiple casing tubes welded to a stainless steel plate. For plugging to a wall or base plate. Suitable for pressing water. Completely made of stainless steel A2, available on request in A4. Delivered with EPDM flange seal and fixing elements. The sealing of the lines is effected with rubber press seals GPD.

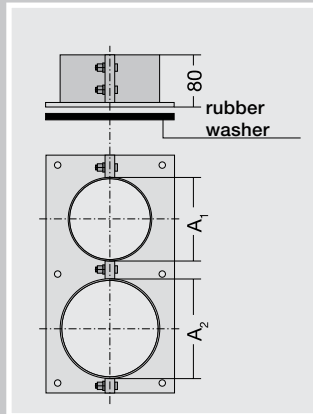
Order no. **GPD-F-VA/**
 $(Z_1 \times A_1) + (Z_2 \times A_2) + (Z_n \times A_n)$
($Z_n \times A_n$) = number Z_n
with diameter of the pipe D_n



GPD-F flange multiple element, split version, for subsequent plugging

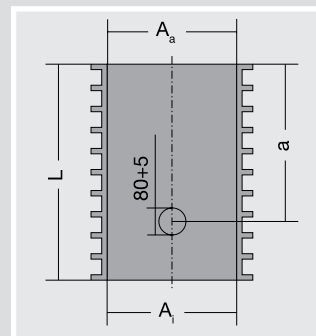
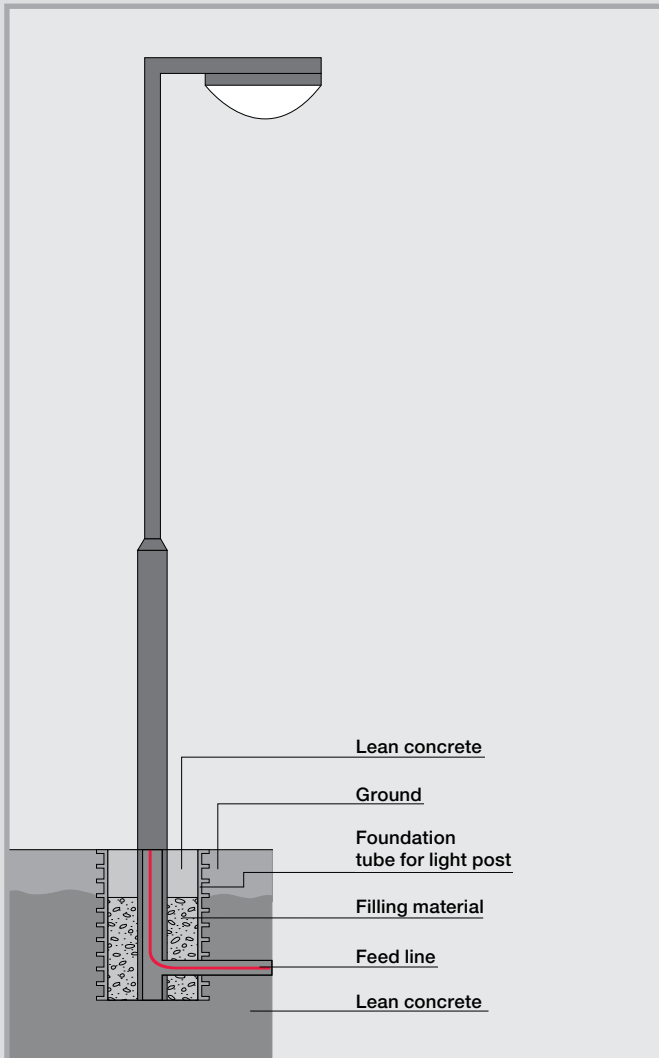
Multiple casing tube element split version for the subsequent sealing of already installed cables or pipes. Suitable for pressing water. Completely made of stainless steel A2, available on request in A4. Delivered with EPDM flange seal and fixing elements. The sealing of the lines is effected with rubber press seals GPD.

Order no. **GPD-F-G-VA/**
 $(Z_1 \times A_1) + (Z_2 \times A_2) + (Z_n \times A_n)$
($Z_n \times A_n$) = number Z_n
with diameter of the pipe D_n



FU-BM

Foundation tube for light posts



FU-BM foundation tube for light posts

Foundation tube made of plastic for light posts. The foundation tube has to be encased in concrete for $\frac{1}{4}$ of the total height.

Order no. **FU-BM (A)/(L)**
 (A) = inside diameter in mm
 (L) = wall thickness in mm

Standard sizes

Diameter of the pipe		Standard pipe sizes valid for both versions	
D _i	D _o	L	a
300	335	600	400
400	435	800	600
500	560	1200	600

Service-Hotline

Tel. +49 7324 9696-33

we are happy
to assist you

UGA SYSTEM-TECHNIK GmbH & Co. KG Building Technology Systems

Heidenheimer Str. 80 – 82
89542 Herbrechtingen/Germany
P.O. Box 12 61, 89539 Herbrechtingen/Germany
Phone +49 7324 9696-0, Fax +49 7324 9696-96
info@uga.eu, www.uga.eu

We deliver replacement parts, if there are material defects which disturb the function. We do not deliver replacement parts for defects which result on the transport or the storage of the goods, or which are based on inaccurate installation or the results of it. Our information is based on the current state of technical evidence. We reserve the right to make technical amendments. Because of the diversity of possible influences during the installation and application our technical information does not release the user from own tests and checks.

All systems of UGA have to be installed according to the corresponding installation advice.